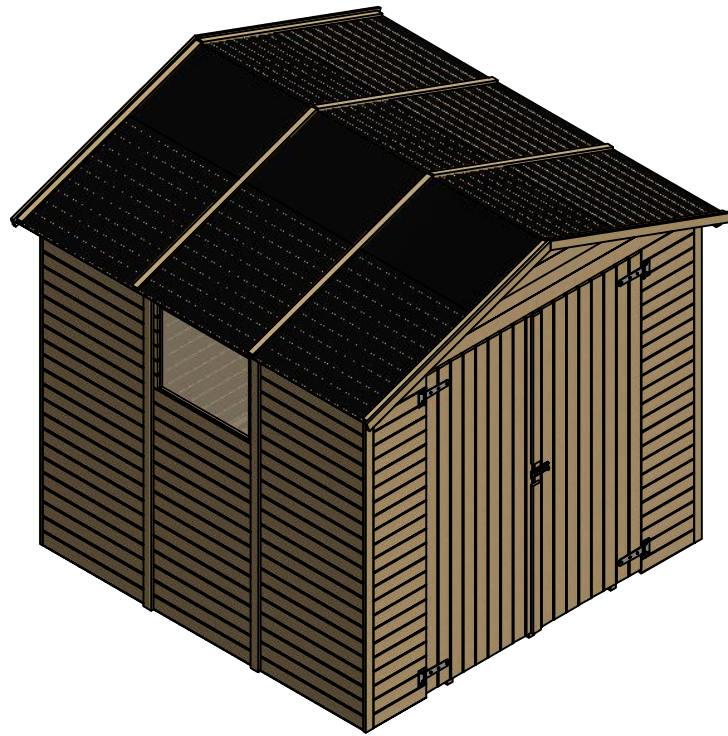
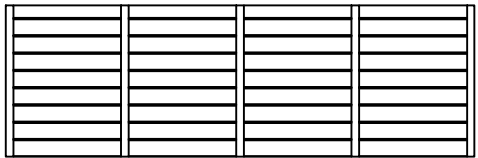

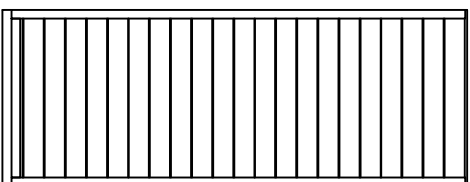
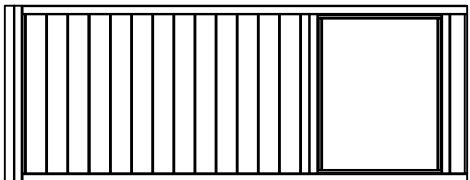

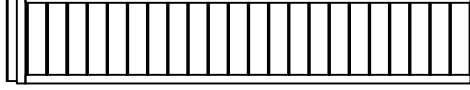
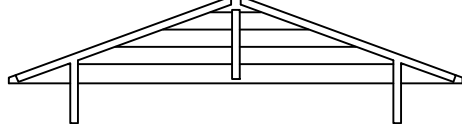
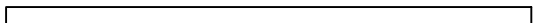
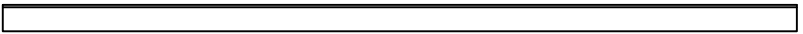
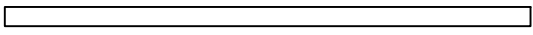

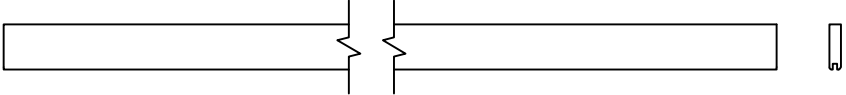
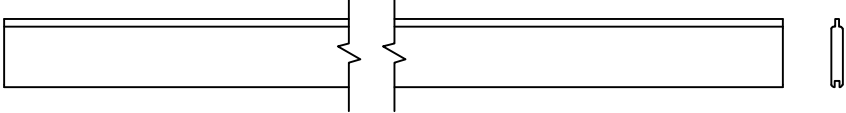


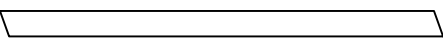
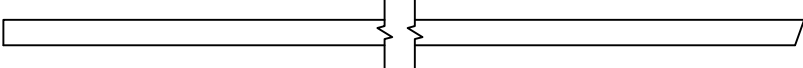
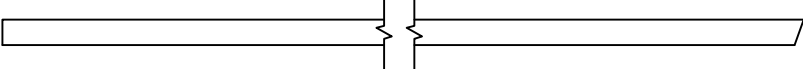
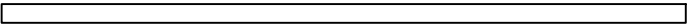
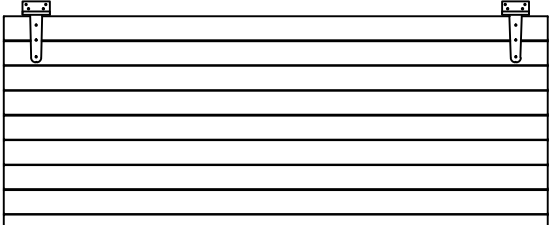







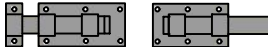


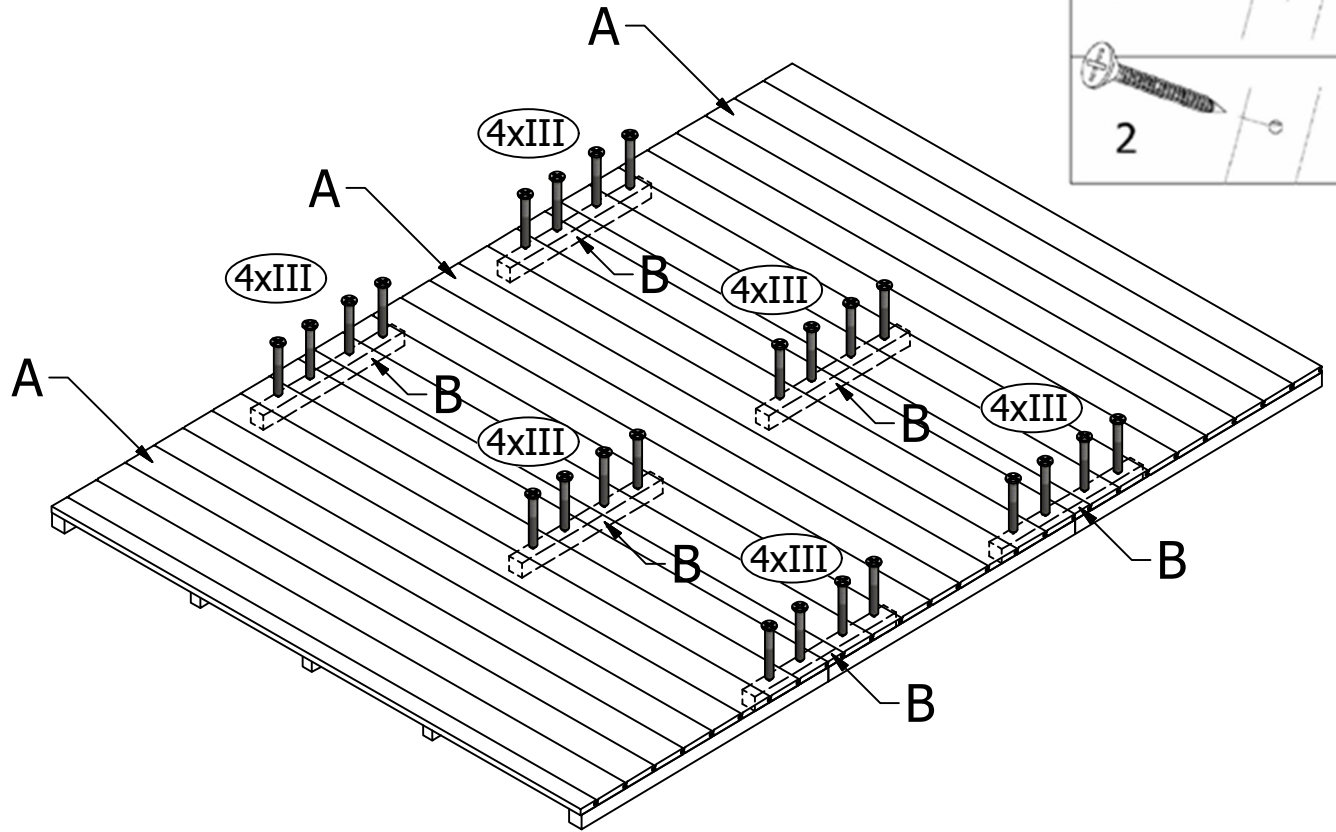
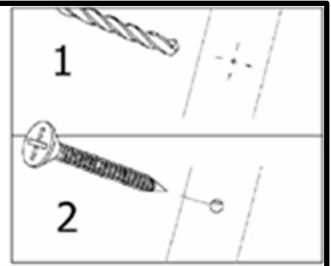
2400x2330xH2160  
(2200x2130)



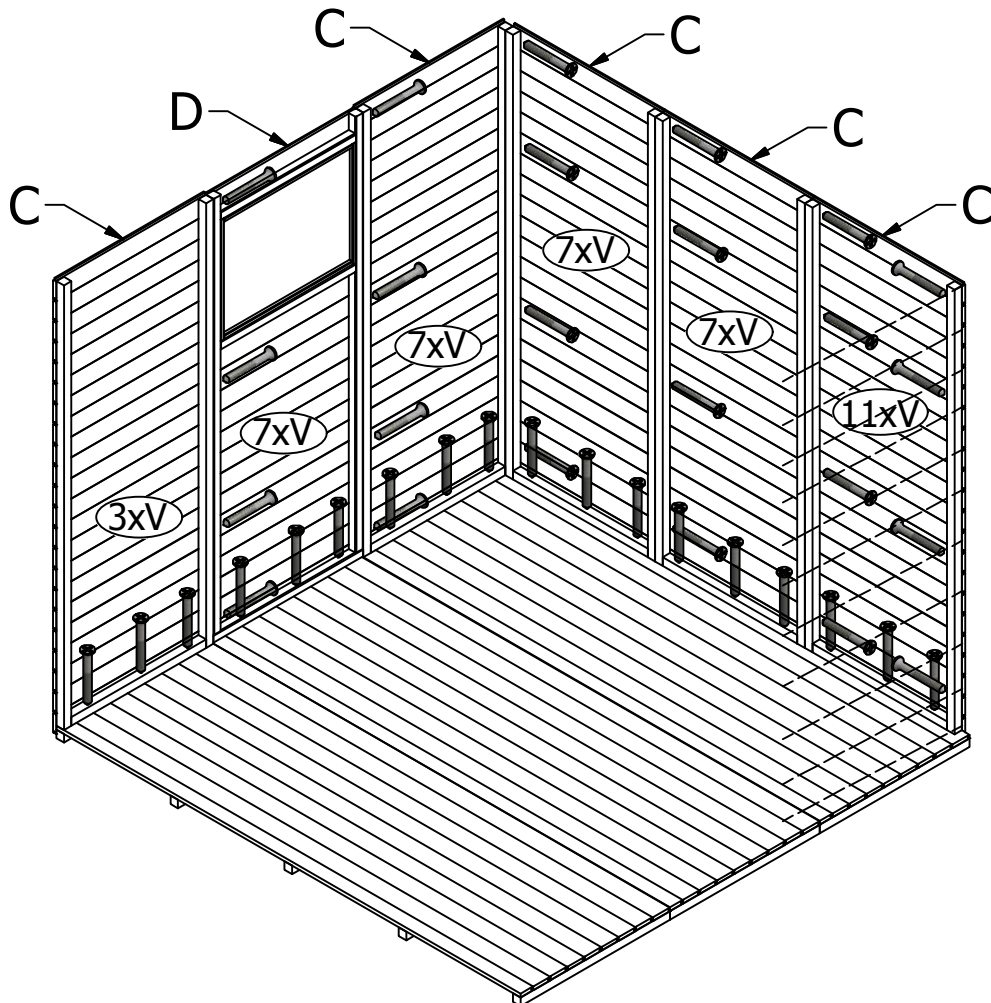
NR	DIMENSION	PCS	PHOTO
A	2170x700x50	3	
B	35x35x400	6	
C	50x700x1830	8	
D	50x700x1830	1	
E	50x360x1830	1	
F	50x360x1830	1	
G	50x2100x410	2	
H	15x50x1380	1	
J	45x70x2100	1	
K	35x70x1096	4	

SIMB.	ELEMENTO	PZ	FOTO
L	35x35x2300	2	
M	15x60x2300	2	
N	15x90x2300	30	
O	1000x2500	3	
P	15x35x1250	8	
R	15x50x1280	4	
S	15x50x2080	2	
T	15x50x1835	4	
U	15x50x1780	4	
W	50x700x1810	2	
Y	15x50x880	2	
I	4,0 x 15	6	
II	4,0 x 25	226	
III	4,0 x 35	42	
IV	4,0 x 45	14	
V	4,0 x 55	81	
VI	4,0 x 90	16	
VII	100x40	1+1	

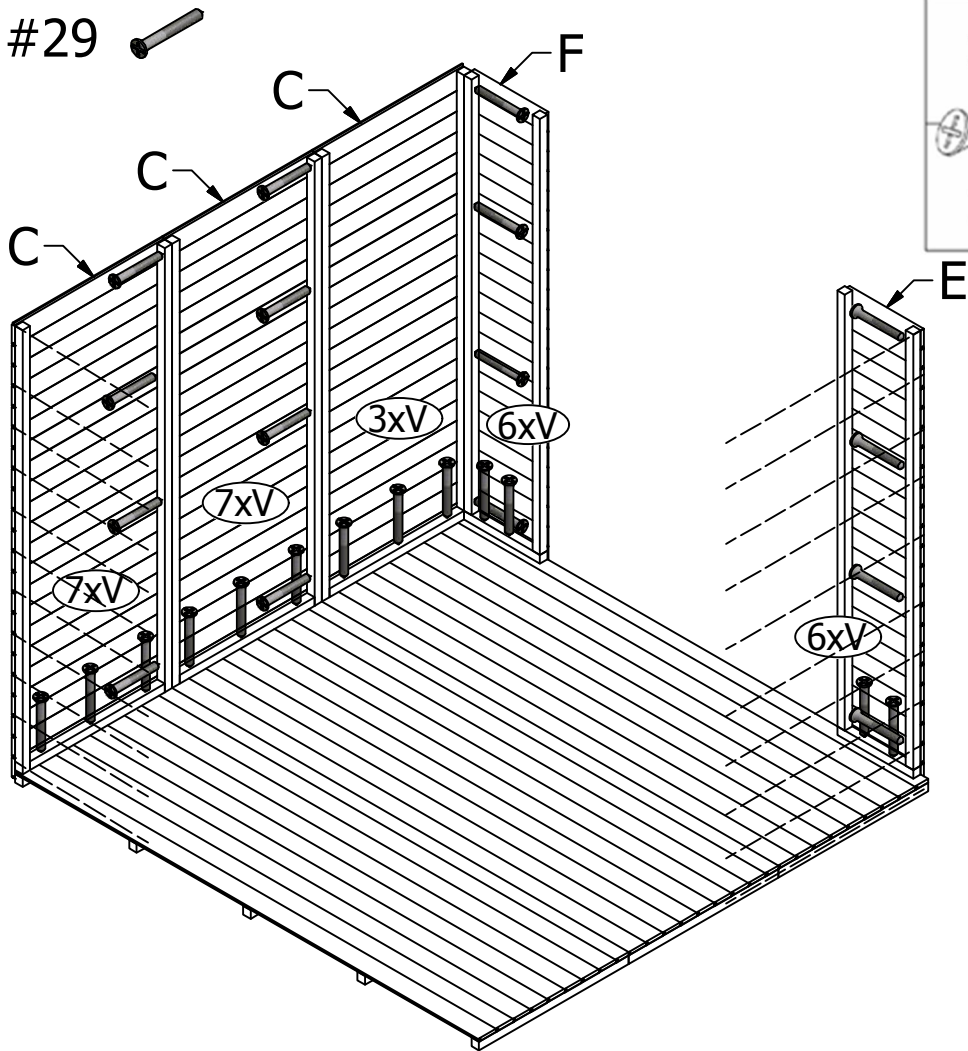
III - 4,0x35 #24 



V - 4,0x55 #42 

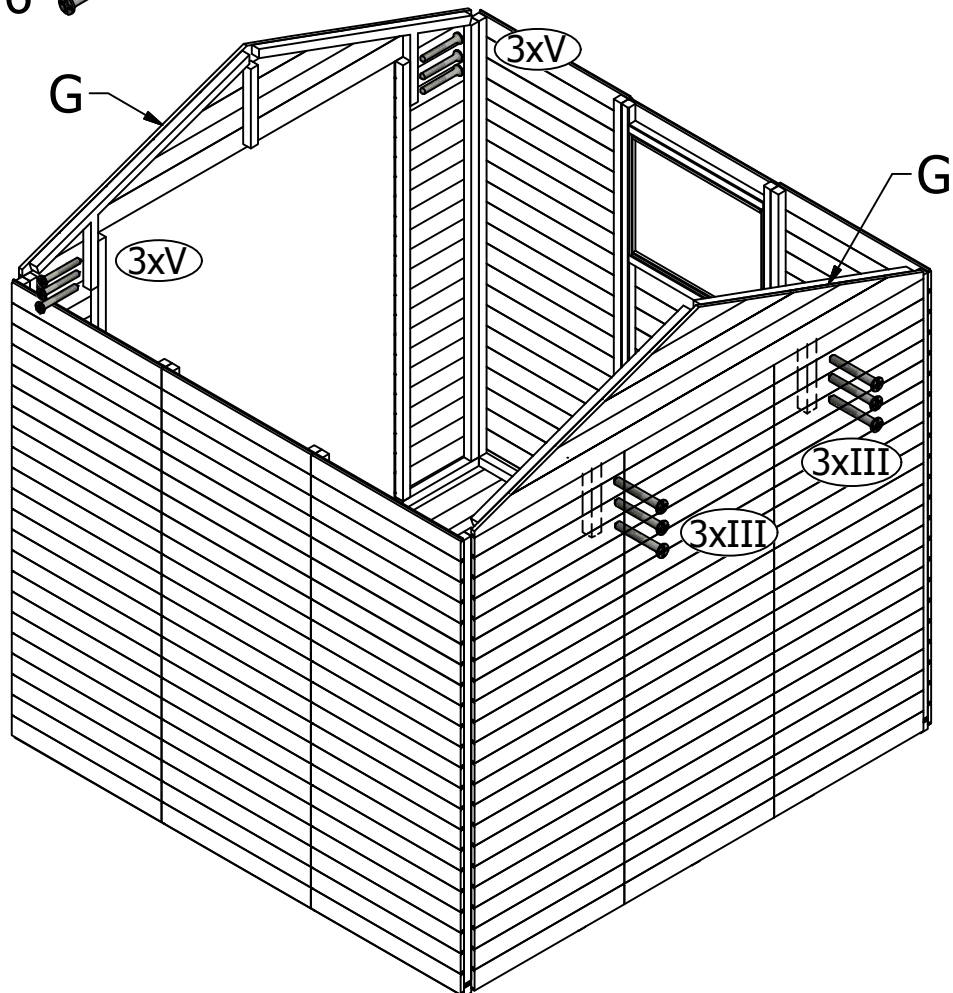


V - 4,0x55 #29

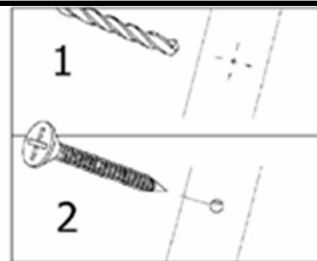
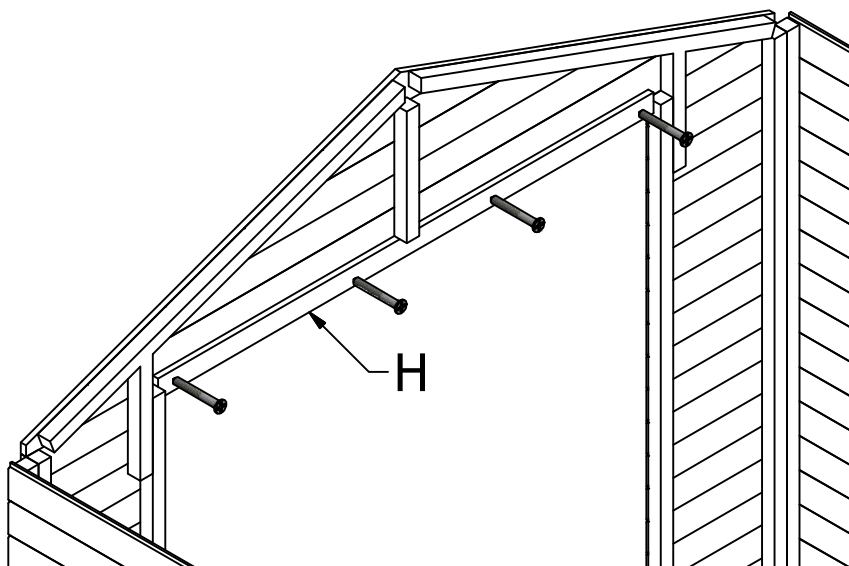



III - 4,0x35 #6

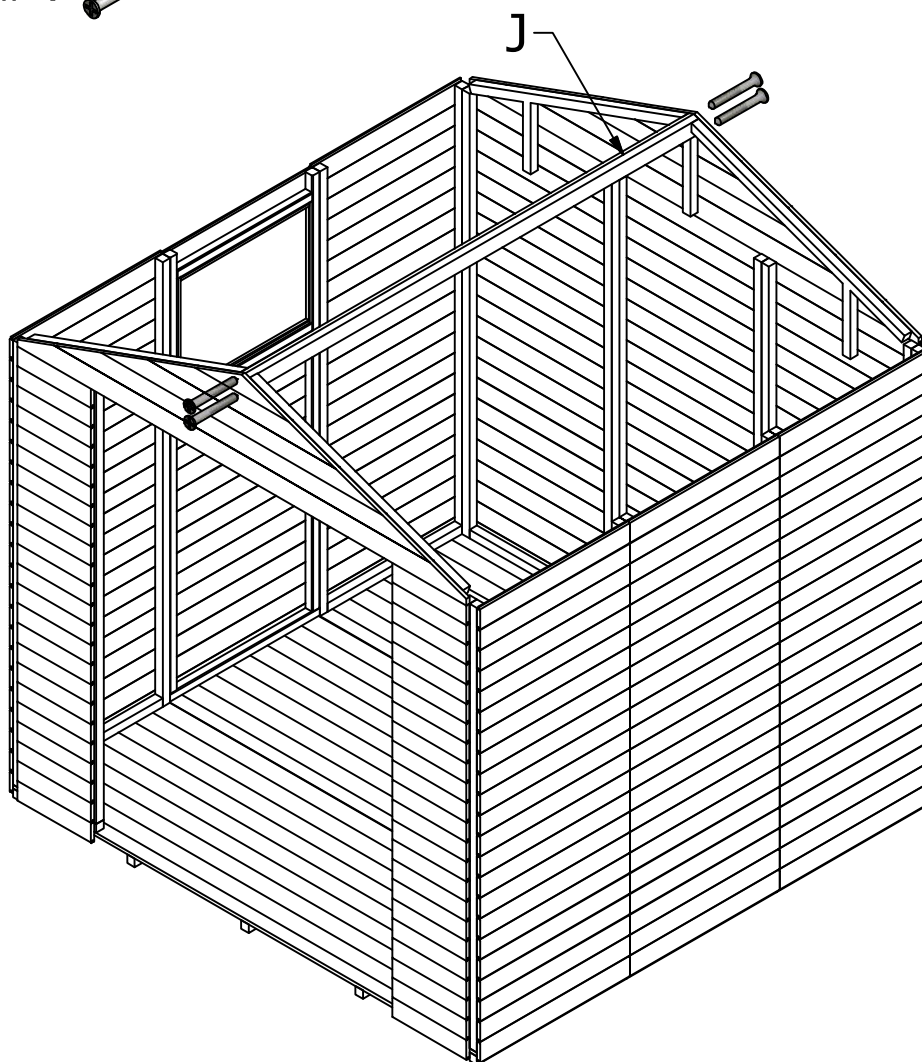
V - 4,0x55 #6



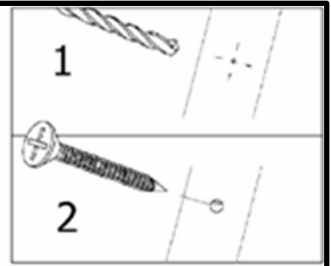
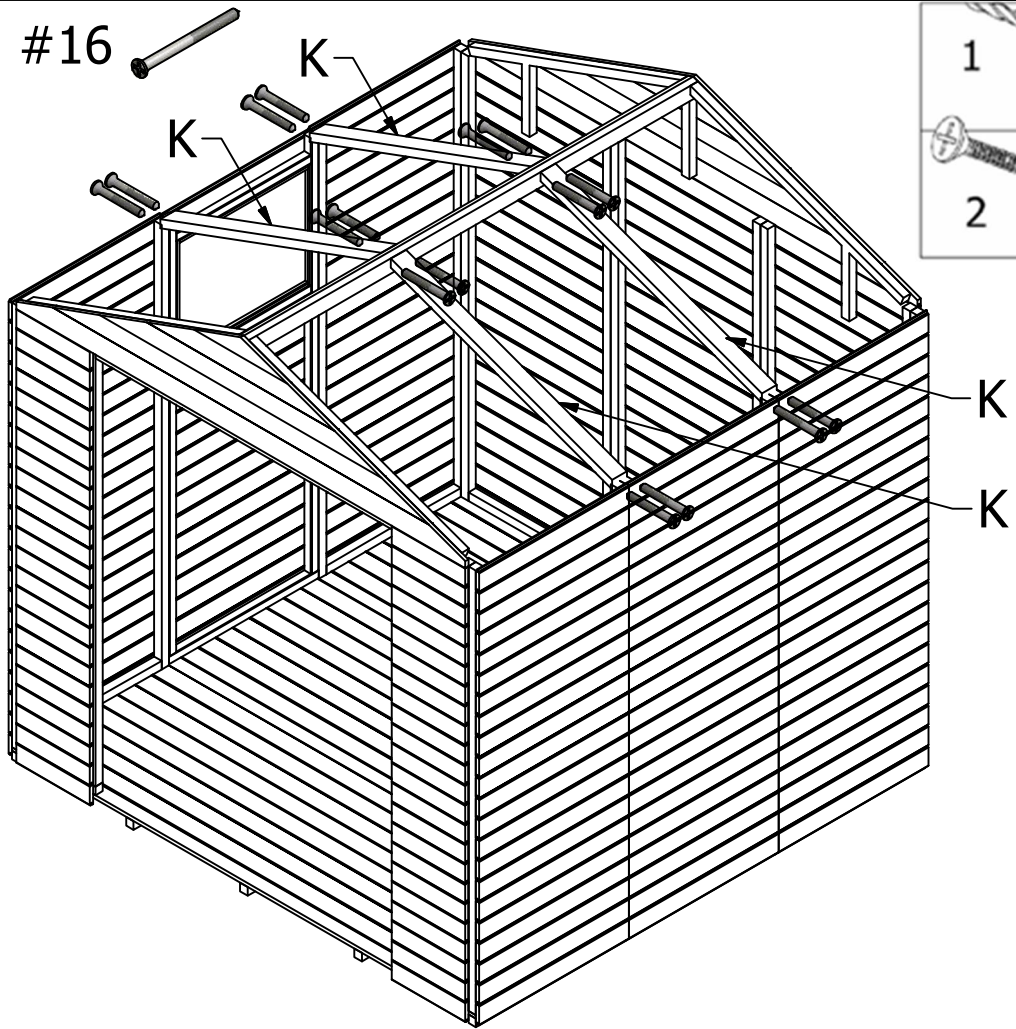
II - 4,0x25 #4 



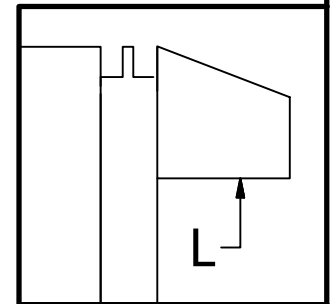
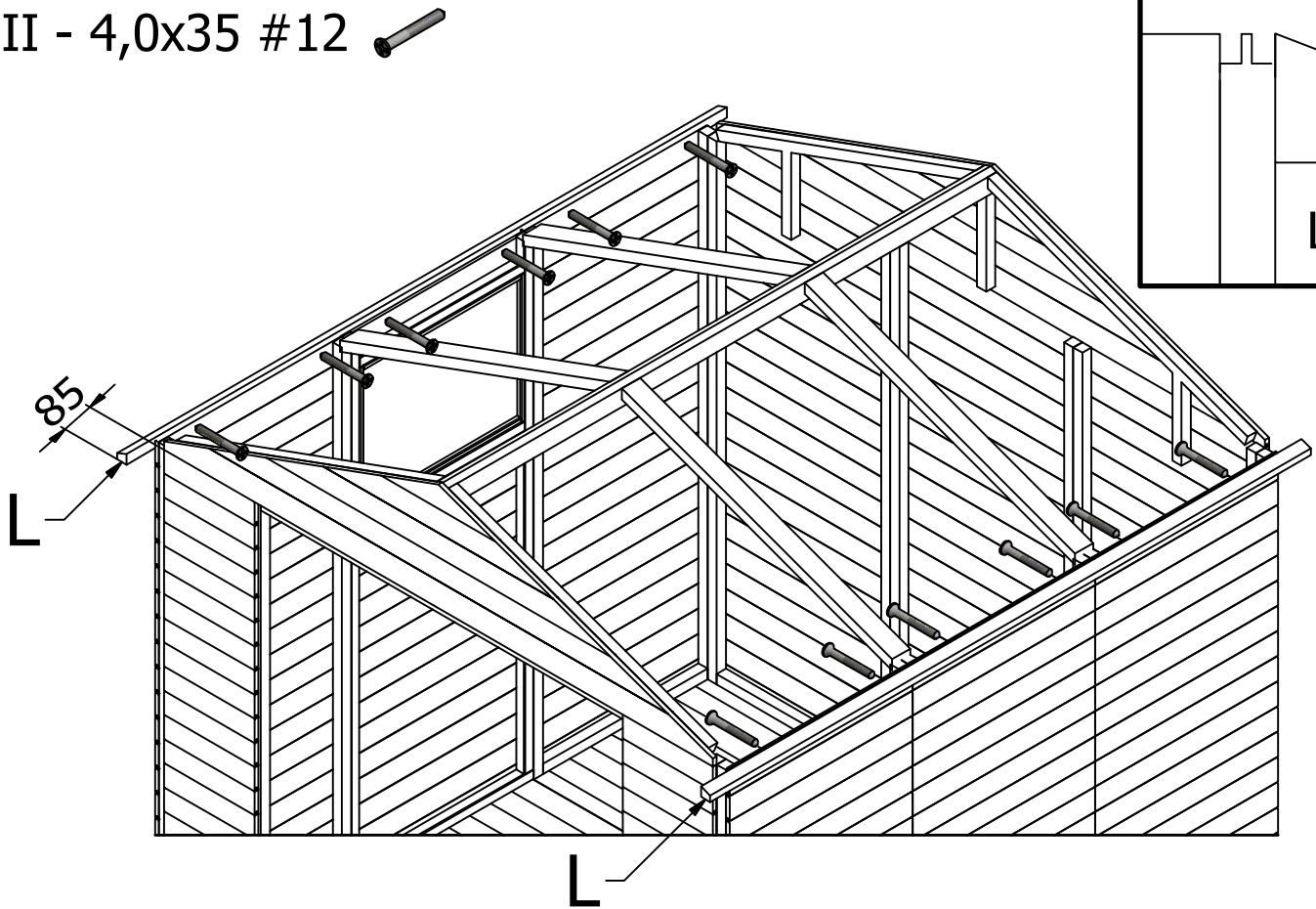
V - 4,0x55 #4 




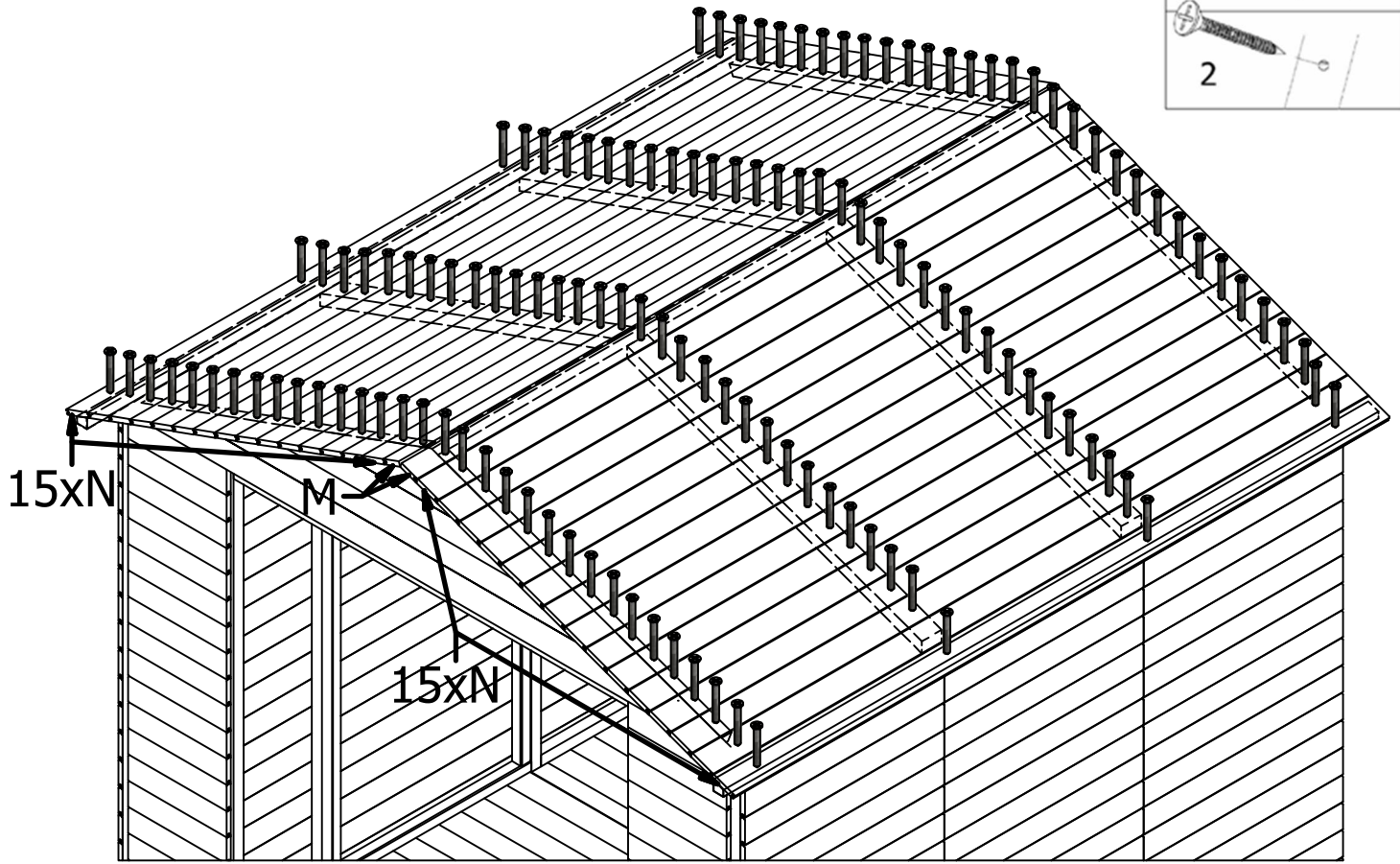
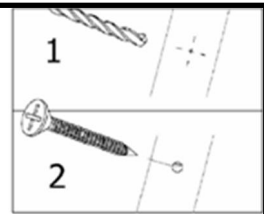
VI - 4,5x90 #16




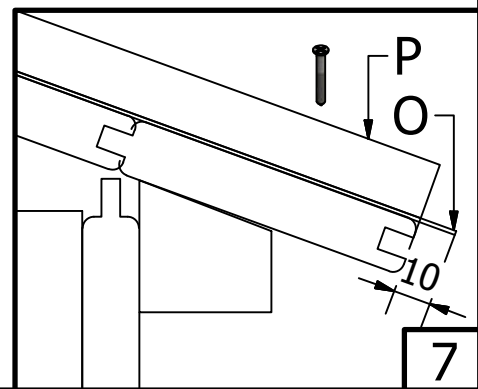
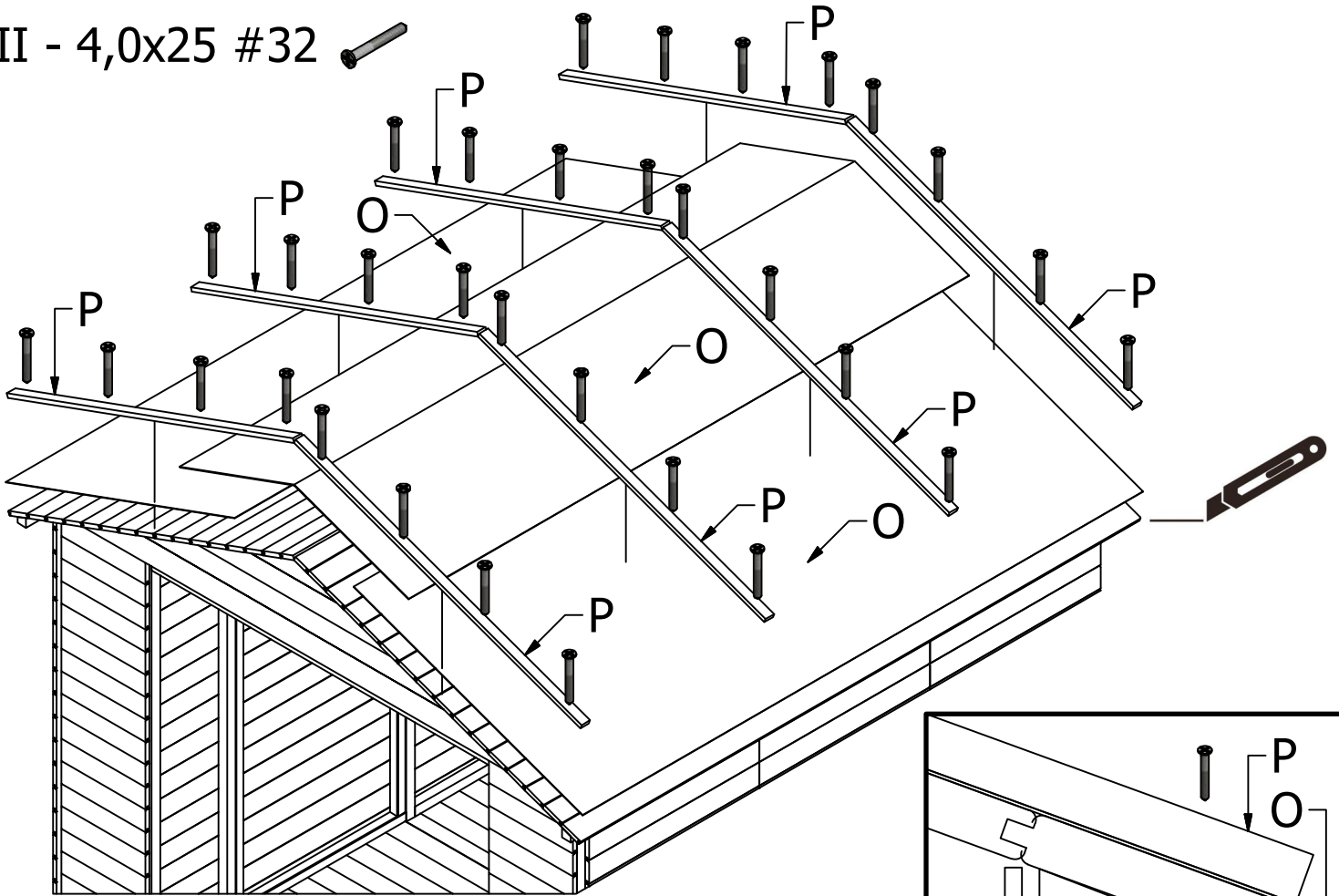
III - 4,0x35 #12




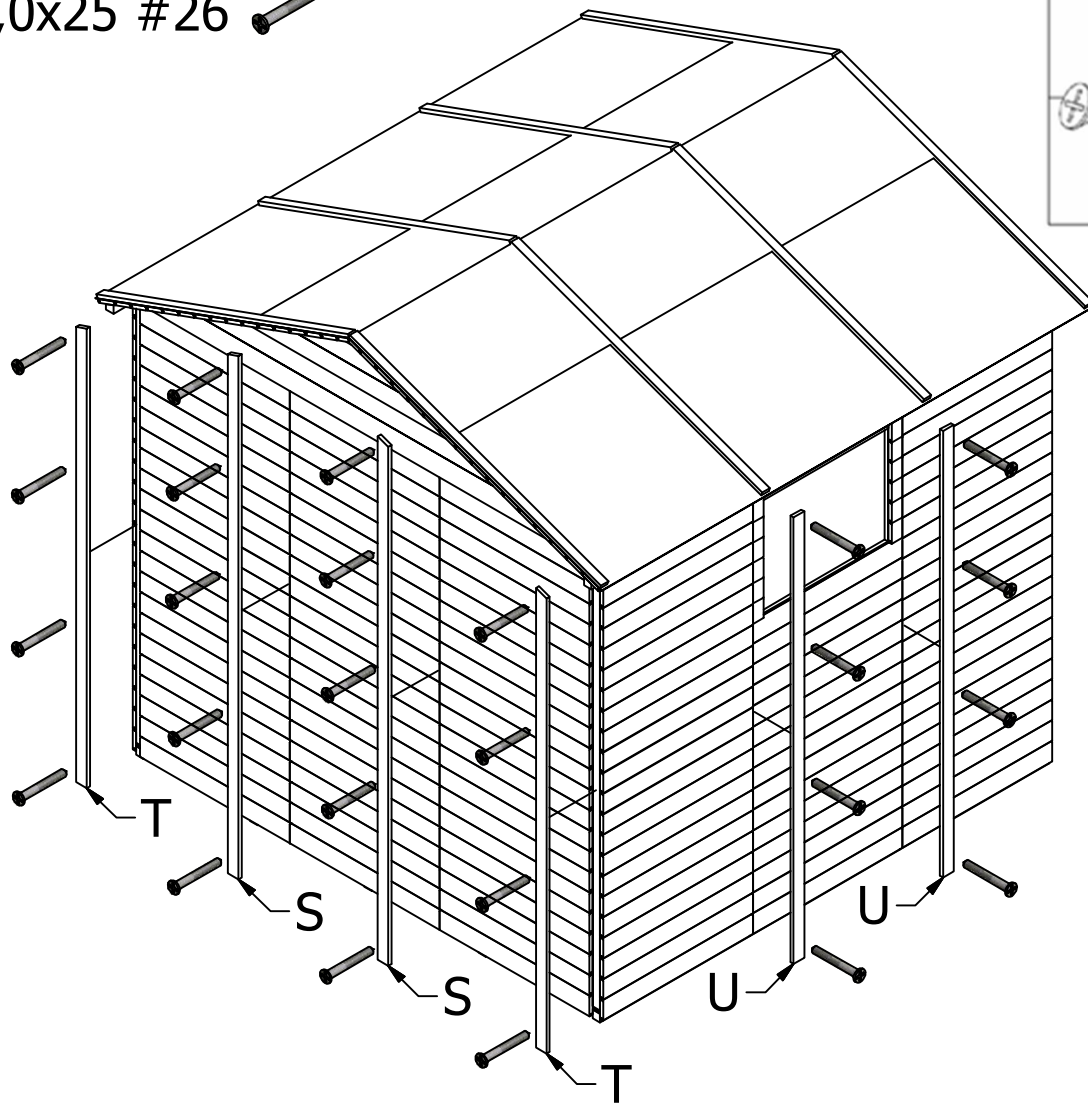
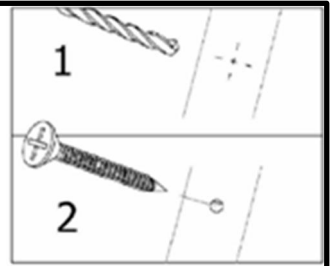
II - 4,0x25 #128 




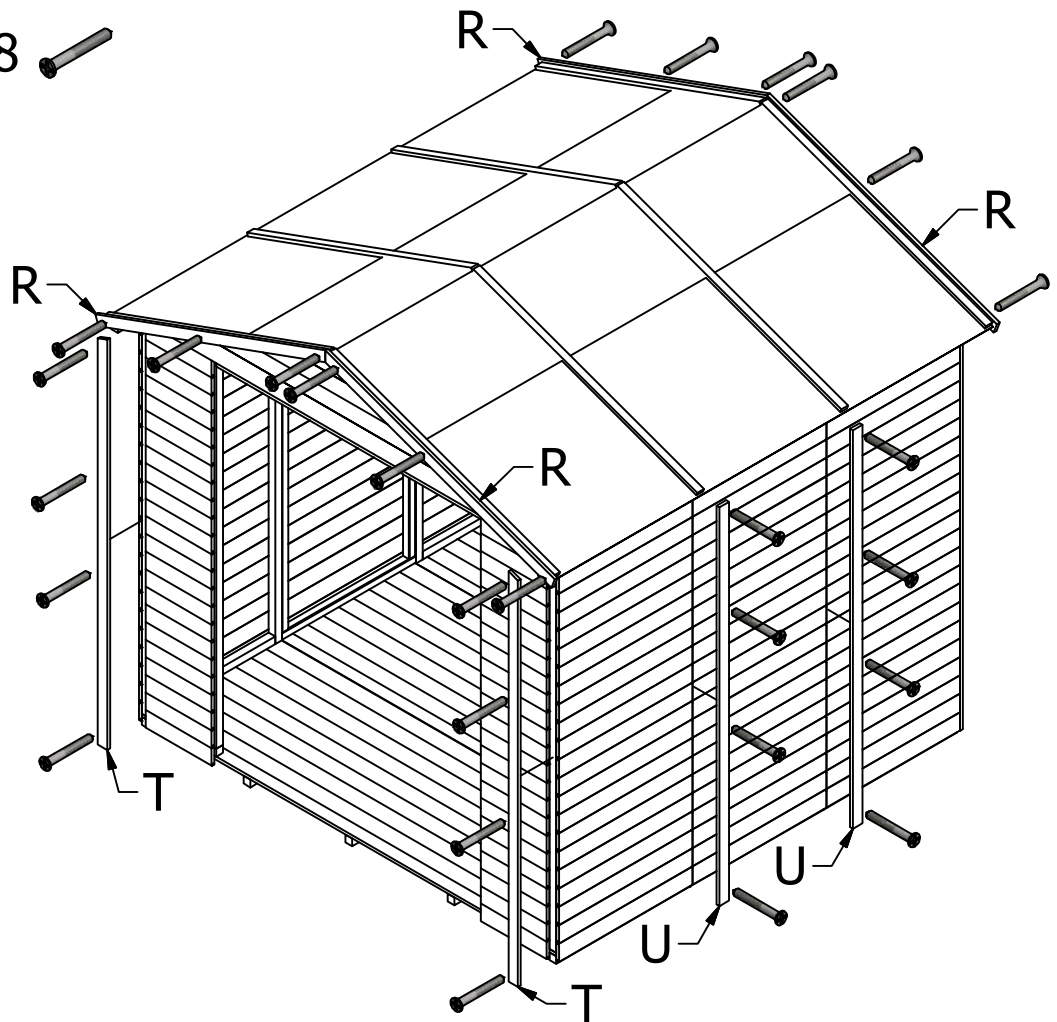
II - 4,0x25 #32 



II - 4,0x25 #26 

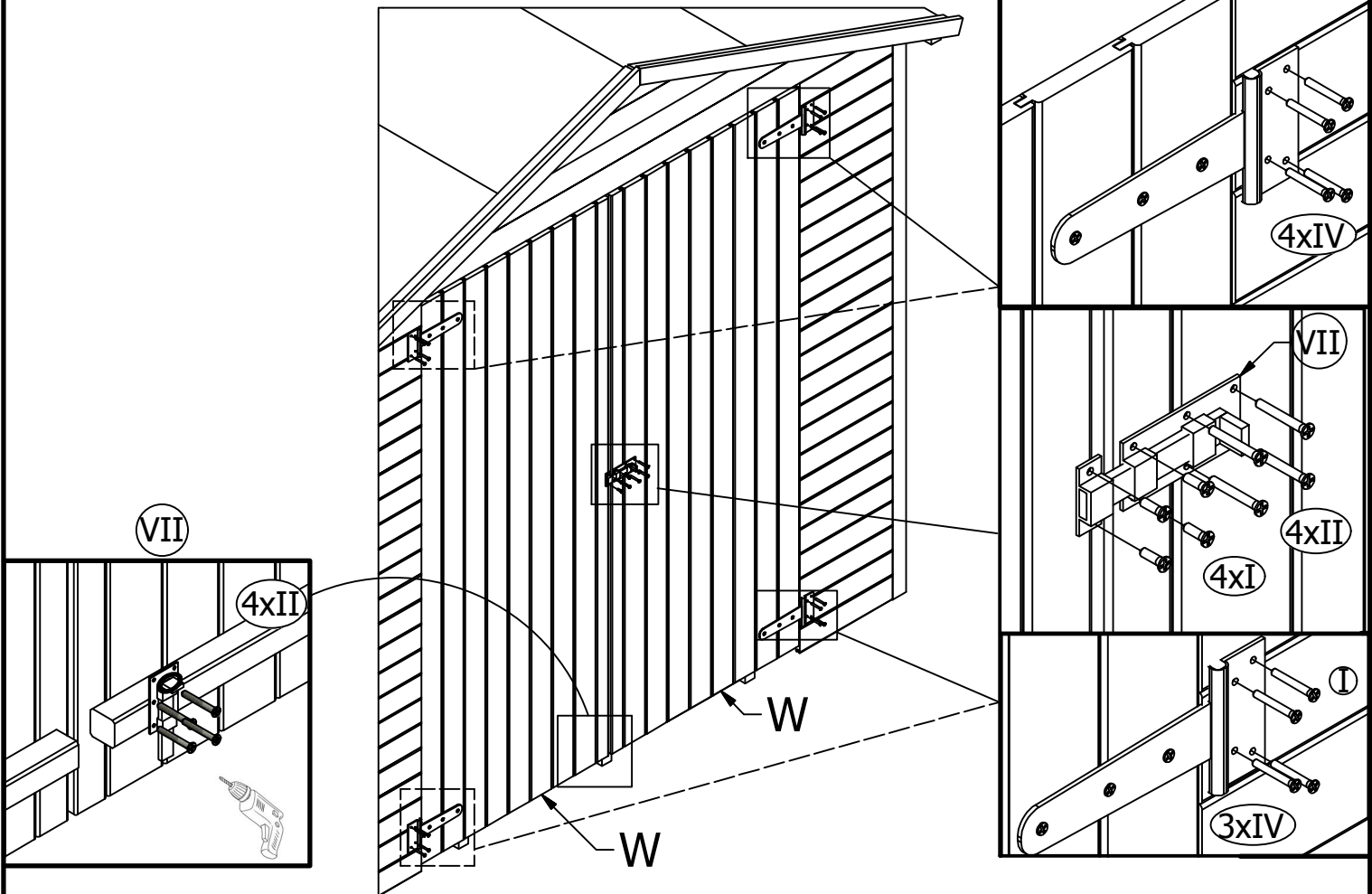
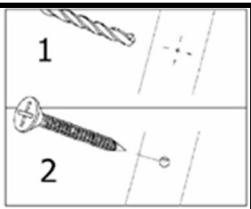


II - 4,0x25 #28 





I - 4,0x15 #6    IV - 4,0x45 #14  
 II - 4,0x25 #8    VII - 100x40 #2



II - 4,0x25 #6

